

ACOUSTICAL NOISE BLOCKS FOR DROP EAR/HIGH EAR 90'S

» 523-DEQ

PipeDown™

ITEM # SUBMITTED	_____
JOB NAME	_____
LOCATION	_____
ENGINEER	_____
CONTRACTOR	_____
PO#	_____ TAG _____

SPECIFICATION

Sioux Chief's 523-DEQ cushion assembly for drop-ear 90 or high-ear 90 threaded termination fittings shall be used where necessary for supporting such fittings when job specifications call for acoustical pipe support products that help reduce noise levels caused by thermal expansion and contraction in piping systems. Cushion assembly shall be made from TPE material and compatible with copper, PEX and CPVC. Cushion assembly shall include two I-beam cushions, two machine T-bolts and two 1/4" nuts. Cushion assembly shall be designed to fit into the channel of Sioux Chief's PowerBar or PowerBar Mini Strut brackets (purchased separately). Cushion Assembly shall be certified by UPC/IAPMO.

INSTALLATION

Insert T-bolt through narrow recessed side of cushion then slide into Sioux Chief PowerBar or PowerBar Mini Strut bracket channel. Repeat so that two cushion/T-bolt assemblies are in bracket for each threaded eared 90. Position brass 90 fitting over bolts then tighten nuts using 1/4" nut driver until fitting is secure and does not move laterally.

MATERIALS

Channel I-beam insert: TPE shore A 38
 T-bolt: #6-32 UNC, zinc plated
 Nut: #6-32 x 1/4", nylon threaded lock nut, zinc plated

WORKING TEMPERATURE

140°F continuous

SAFE WORKING LOAD*

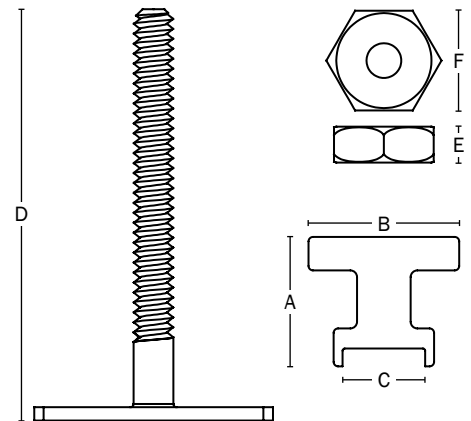
25-lbs. when installed in bracket
 *Safe working load = one-half failure of centrally hung load

DIMENSIONS

A: Cushion height	0.58"
B: Cushion width	0.68"
C: Insert base recessed area	0.37"
D: T-bolt height	1.25"
E: Nut height	0.112" – 0.130"
F: Nut width	0.306"



523-DEQ



Made in USA

Item Number

523-DEQ

Description: Acoustical cushion assembly for brass 90 fitting with mounting tabs.